

[FEATURED ITEMS](#)[VISUAL PRODUCTS](#)[AUDIBLE PRODUCTS](#)[ACCESSORIES](#)[DOWNLOAD](#)[CASE STUDIES](#)[ABOUT US](#)[Home](#) >> [VISUAL PRODUCTS](#) >> [Illumination](#) >> CLF : Light Bar, 130/230mm

■ CLF : Light Bar, 130/230mm

Print



The CLF Series of LED Light Bars is designed with a robust, sealed construction yielding an IP-67 rating ideal for semiconductor and clean room environments. Also available in yellow and red, the white color provides flicker-free, intense daylight illumination for precision work.

[CLF Mechanical & Wiring Diagrams](#)[CLF Specifications](#)[CLF Instruction Manual](#)[CLF RoHS Certificate](#)[CLF Limited Warranty](#)

[Related Products]

[CLB : Light Bar, 146/246/378mm](#)[CLT : Light Bar, 350mm](#)

SIZE:

- CLF10: 30mm x 50mm x 130mm
- CLF20: 30mm x 50mm x 230mm

INPUT VOLTAGE - DC24V

OPTIONS:

FUNCTIONS - Continuous only

AVAILABLE:

MOUNTING OPTIONS:

- Direct mount
- Indoor, any direction

BODY STYLE:

- Anodized aluminum housing
- Rust, corrosion and oil resistant
- Pre-assembled, pre-wired

BODY COLOR: Gray

LIGHT SOURCE:

- CLF10 : High Intensity LED x 4
- CLF20 : High Intensity LED x 8
- Colors : Red / Amber / White
- Average Service Life: (specified when brightness decreases to 70%): 40,000 hours

LENS: Polycarbonate

RATINGS:

- CE
- [UL Component Recognition \(US\)](#)
- [UL Component Recognition \(Canada\)](#)
- RoHS

PROTECTION: IP-67f

[PART NUMBER GUIDE](#)

CLF 20 - 24 - R

1. Series

CLF Worklight

2. Lens Length

10 : 100mm

20 : 200mm

4. LED Color

R : Red

Y : Yellow

C : Clear

3. Rated Voltage

24 : DC24V

OPTIONAL PARTS

None Available

ACCESSORIES

None Available

Website subject to change without notice.

TOP

SPECIFICATIONS

Model	CLF10-24-□	
Color of lighting	R (Red), Y (Amber), C (White)	
Light source	4-LED	
Rated voltage	24V DC (non-polar)	
Operating voltage	Rated voltage±10%	
Current consumption	104mA±10mA	
Operating temperature range (Relative humidity)	-30°C~+60°C (90%RH or less, without the dew condensation)	
Mounting	Place	Indoor only
	Direction	Any direction
Protection rating	IP67	
Vibration proof	19.6 m/s ² (30Hz)	
Illumination at the center(at 50cm)	Red:240lx, Amber:320lx, White:850lx	
Mass	205g±10g	

No. CLF10-24-A18A-1/2

- This product confirms to the CE requirements and CE Marking is indicated.
- This product complies with the RoHS Directive(DIRECTIVE 2002/95/EC)
- Model No. configuration

CLF10-24-□

└ Color of lighting
R:Red
Y:Amber
G:Green



PATLITE Corporation	App.by	Chk.by	Drn.by
	 8 Feb '08		 6 Feb '08

SPECIFICATIONS

Model	CLF20-24-□		
Color of lighting	R(Red), Y(Amber), C(White)		
Light source	8-LED		
Rated voltage	24V DC (non-polar)		
Operating voltage	Rated voltage±10%		
Current consumption	208mA±20mA		
Operating temperature range (Relative humidity)	-30°C~+60°C (90%RH or less, without the dew condensation)		
Mounting	Place	Indoor only	
	Direction	Any direction	
Protection rating	IP67		
Vibration proof	19.6 m/s ² (30Hz)		
Illumination at the center(at 50cm)	Red:471lx, Amber:630lx, White:1700lx		
Mass	345g±10g		

No. CLF20-24-A18A-1/2

- This product confirms to the CE requirements and CE Marking is indicated.
- This product complies with the RoHS Directive(DIRECTIVE 2002/95/EC)
- Model No. configuration

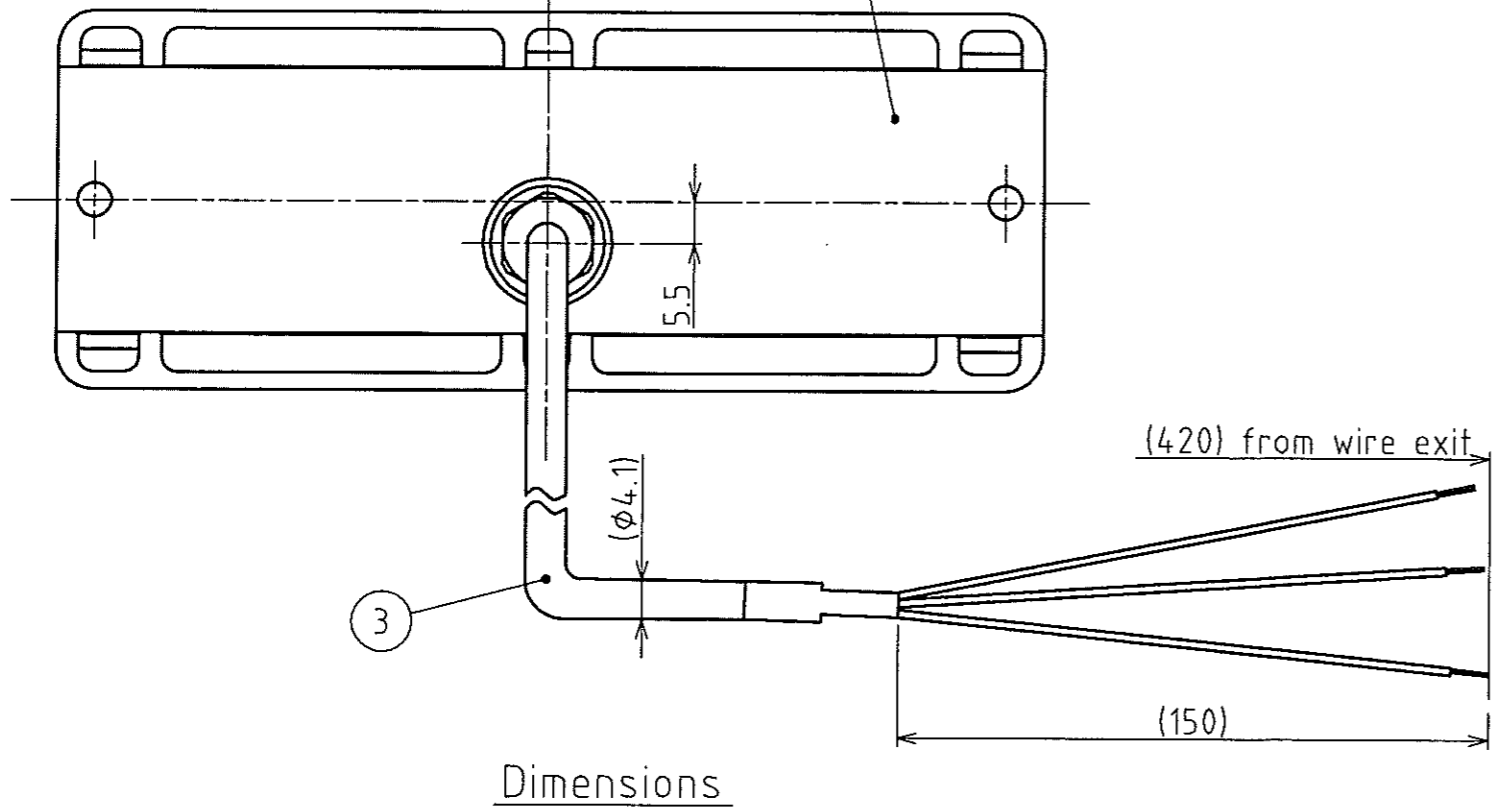
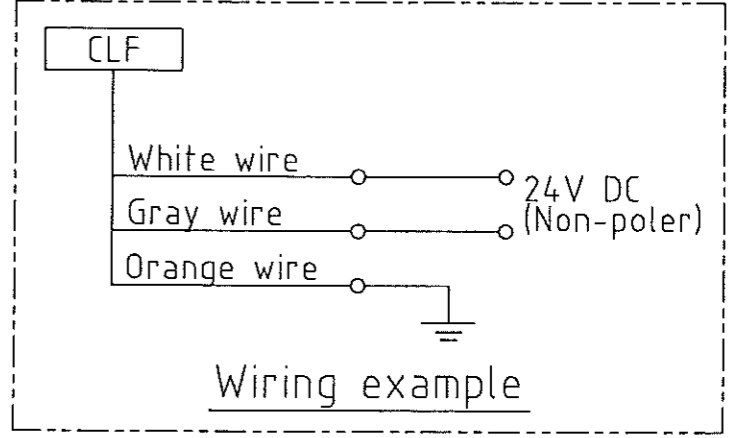
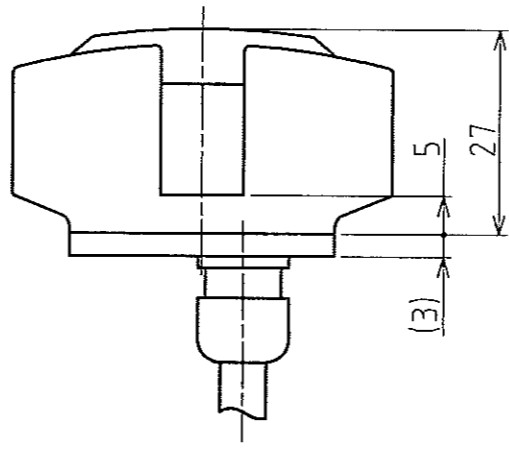
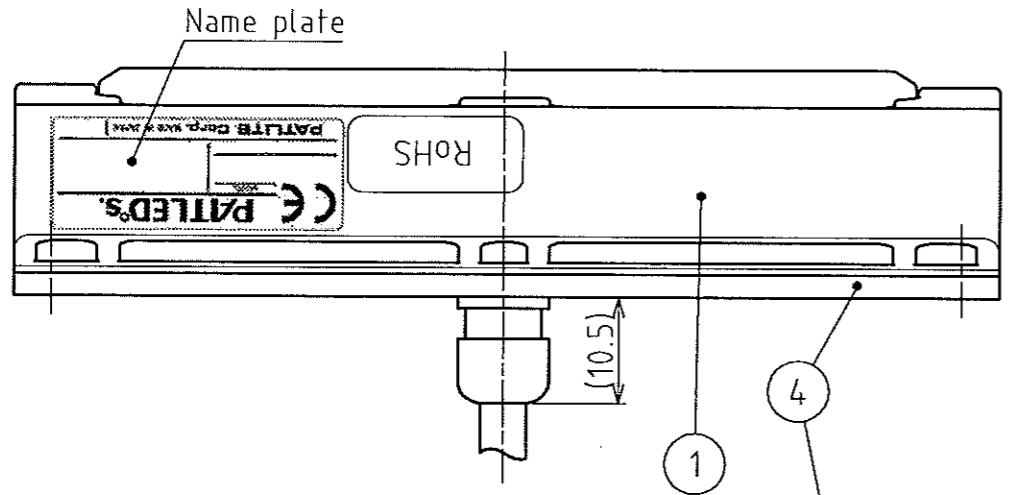
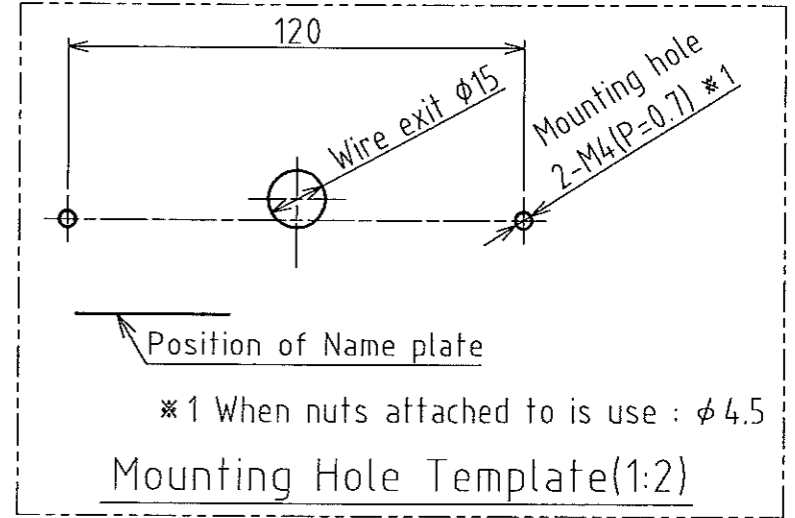
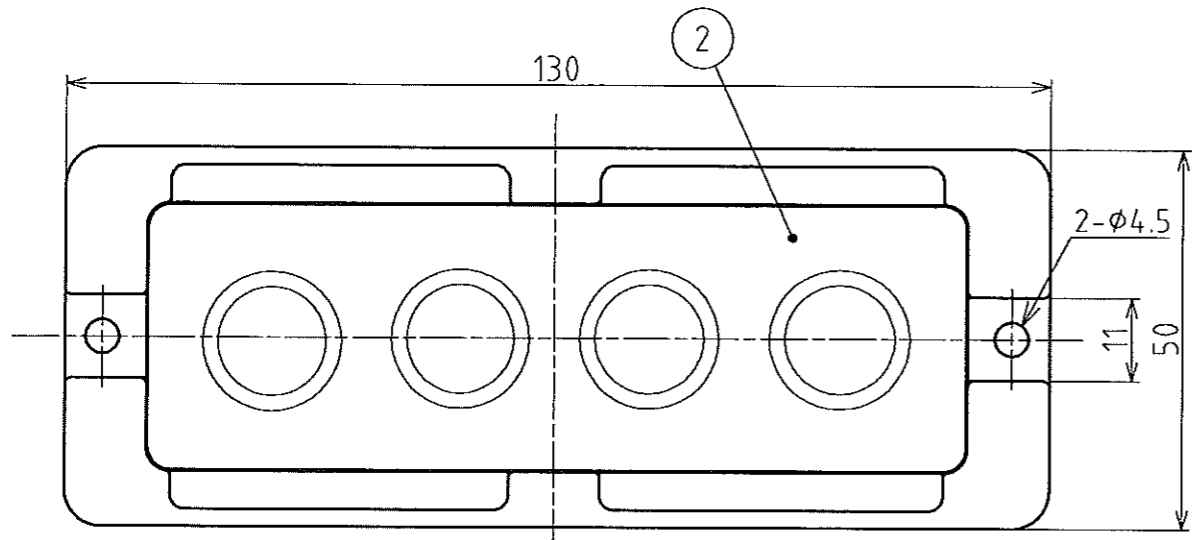
CLF20-24-□

└ Color of lighting
R:Red
Y:Amber
G:Green



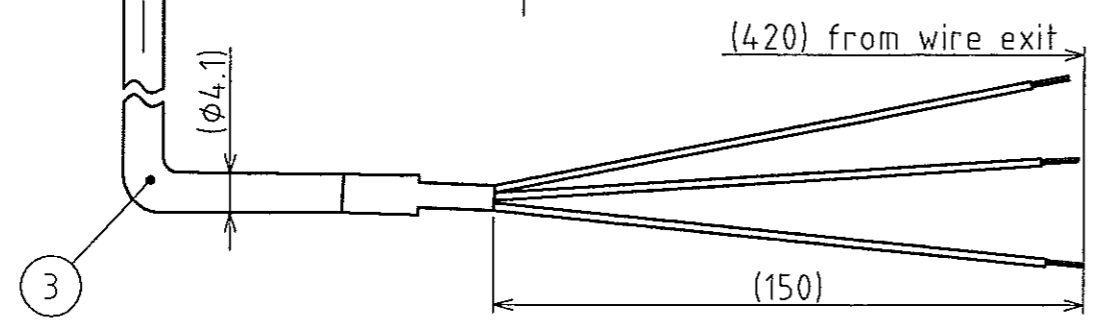
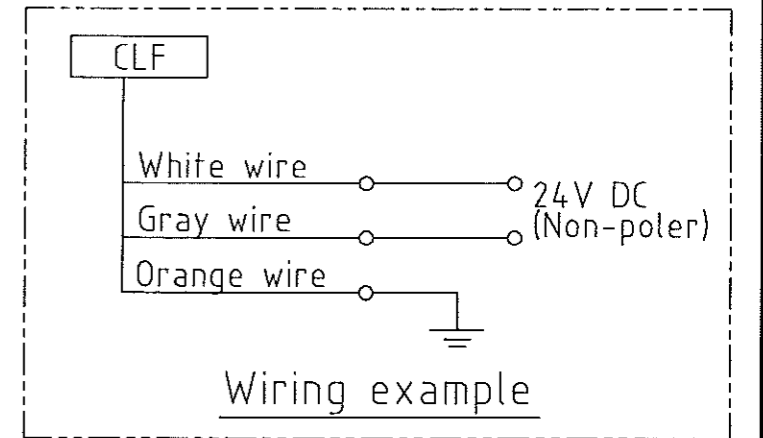
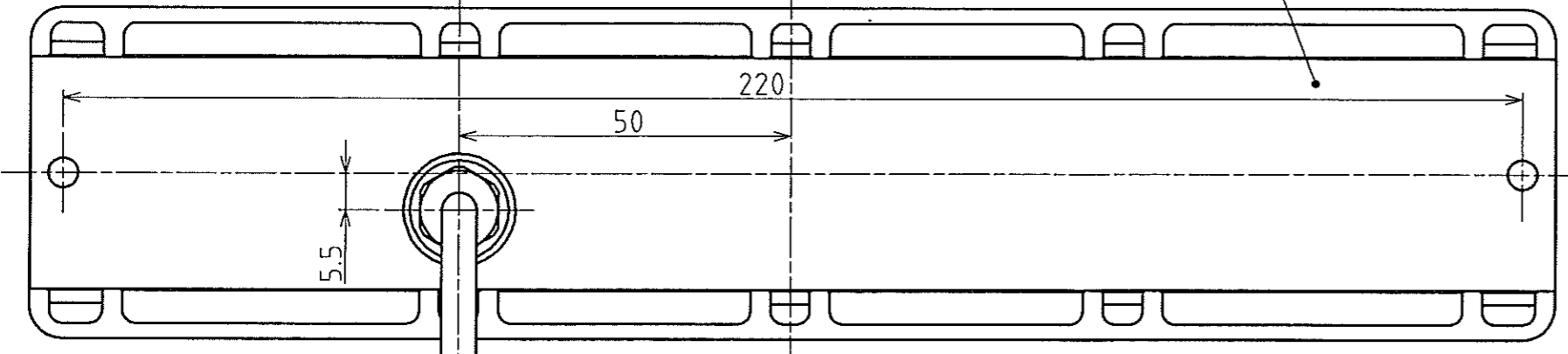
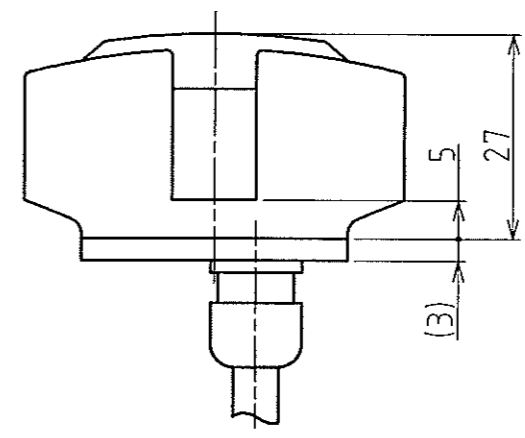
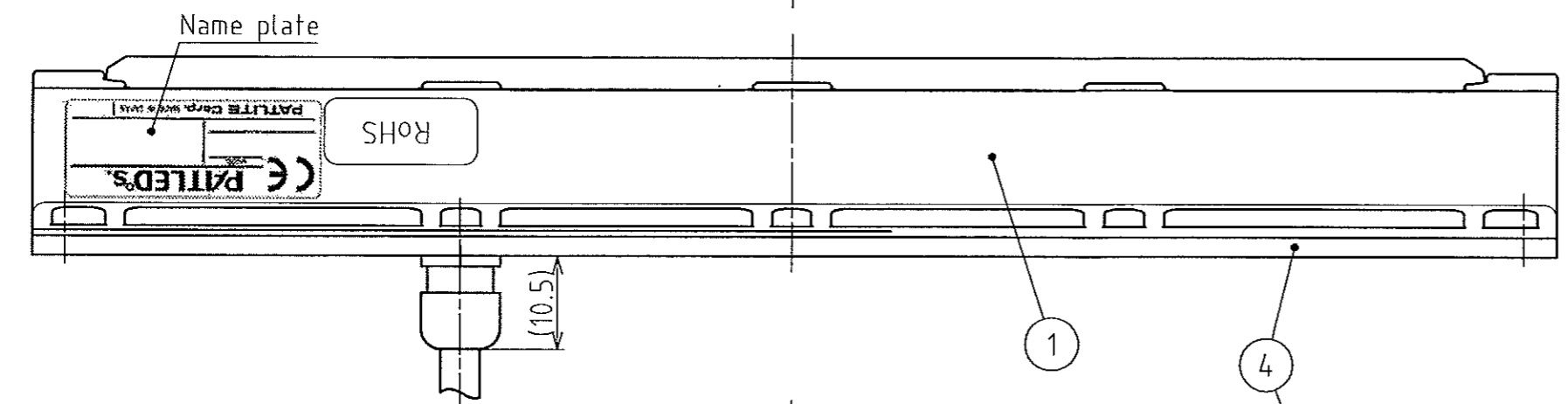
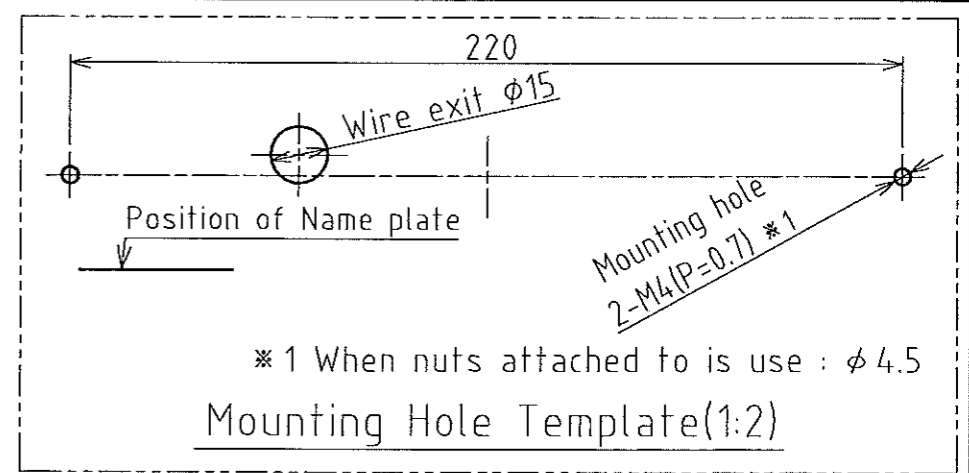
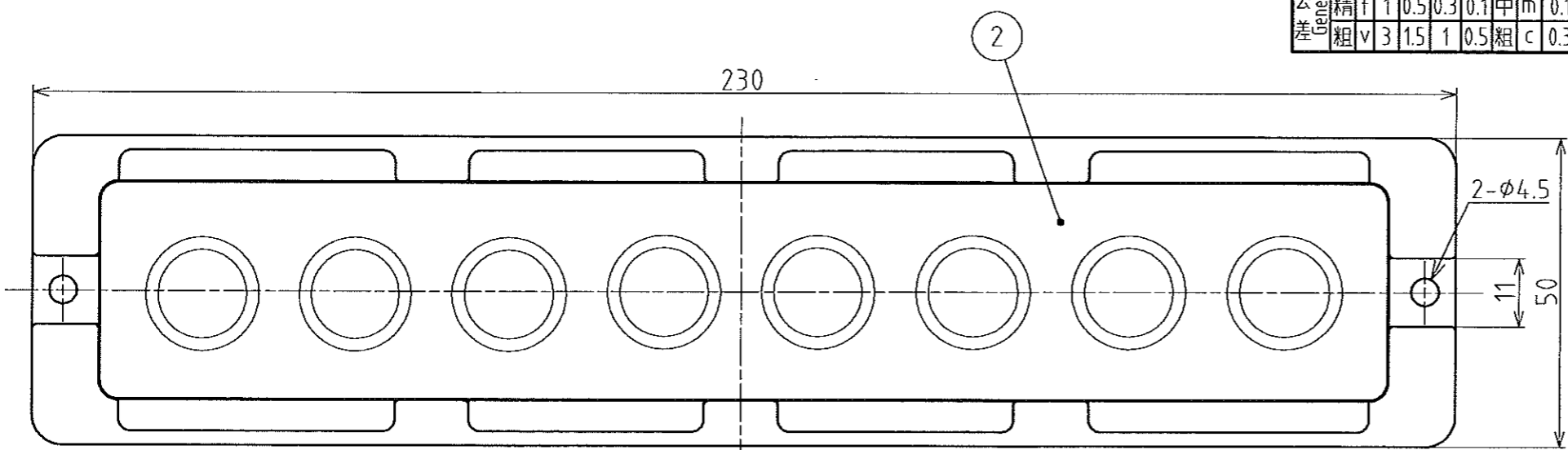
PATLITE Corporation	App.by	Chk.by	Drm.by
	 8 Feb '08	 6 Feb '08	 6 Feb '08

指定 外公差	角度公差 ± [°]		寸法公差 ± [mm]					符号 Sym.	年月日 Date	訂正履歴 Revisions	記印 Sgn.	検印 Chk.	承認 App.
	Angular tolerance		Dimensional tolerance										
	短辺 Length of short side	長辺 Length of long side	6	30	120	300	1000						
	精 f	中 m	粗 c	精 f	中 m	粗 c	粗 c						
精 f	0.5	0.3	0.1	0.05	0.1	0.2	0.4	0.6	△				
中 m	1	0.5	0.3	0.1	0.1	0.3	0.5	0.7	△				
粗 c	3	1.5	1	0.5	0.3	0.5	1	1.2	△				



4	Water-proof sheet	-	1	CR	
3	Power supply wire	-	1	UL2464 (AWG26x3c)	
2	Cover	-	1	PC	
1	Body	-	1	Aluminum	
番号 No.	部品名 Part Name	品目コード Part No.	数量 Qty.	材料 & 寸法 & 処理 Material & Size & Finish	記事 Remarks
設計 Dgn.by	製図 Drn.by	検図 Chk.by	承認 App.by	図名 Name	機種名 Model Name
C.Tawa	Y.Nagayama			Specifications	CLF10-24-□
23.Oct.'07	6.Feb.'08			Dimensions	品目コード Part No.
三角法 3rd Angle P.	単位 Unit mm	尺度 Scale 1:1	株式会社 PATLITE Corporation	図番 Drawing No.	特注No. S.P.No.
				CLF10-24-A18A-2/2	

指定 公差 General Tolerance	角度公差 Angular tolerance	± [°]	寸法公差 Dimensional tolerance					± [mm]	符号 Sym.	年月日 Date	訂正履歴 Revisions	記印 Sqn.	検印 Chk.	承認 App.
	短辺 長さ length of short side	~	~	6	30	120	300	1000	△					
	精 f	10	50	100	精	f	0.05	0.1	0.2	0.4	0.6	△		
	粗 v	3	1.5	1	0.5	中 m	0.1	0.3	0.5	0.7	1	△		
					粗 c	0.3	0.5	1	1.2	2	△			



Dimensions

4	Water-proof sheet	-	1	CR	
3	Power supply wire	-	1	UL2464(AWG26x3c)	
2	Cover	-	1	PC	
1	Body	-	1	Aluminum	
番号 No.	部品名 Part Name	品目コード Part No.	数量 Qty.	材料 & 寸法 & 処理 Material & Size & Finish	記事 Remarks
設計 Dgn.by	製図 Drn.by	検図 Chk.by	承認 App.by	図名 Name	機種名 Model
C.Tawa	Y.Nagayama			Specifications	CLF20-24-□
23.Oct.'07	6.Feb.'08			Dimensions	品目コード Part No.
三角法 3rd Angle P.	単位 Unit mm	尺度 Scale 1:1	株式会社 パトライト PATLITE Corporation		図番 Drawing No. CLF20-24-A18A-2/2

LIMITED WARRANTY

PATLITE (U.S.A) CORPORATION ("PATLITE") warrant its products to be free from defects in material and workmanship under normal and proper use for a period of one (1) year from the initial date of shipment by PATLITE. In the even of a defect not caused by misuse or damage to the products, PATLITE will, at its option, repair, replace or return the purchase price for, defective products upon PATLITE's inspection. **THIS WARRANTY IS IN LIEU OF AND EXCLUDES ALL OTHER WARRANTIES, REMEDIES AND CONDITIONS, WHETHER EXPRESS, IMPLIED OR STATUTORY, INCLUDING WITHOUT LIMITATION ANY IMPLIED WARRANTIES OF MERCHANTABILITY AND FITNESS FOR A PARTICULAR PURPOSE. IN NO EVENT SHALL PATLITE OR THE MANUFACTURER BE LIABLE FOR ANY SPECIAL, INCIDENTAL OR CONSEQUENTIAL DAMAGES, INCLUDING LOSS OF PROFITS OR "DOWN TIME" DAMAGES, WHETHER ARISING FROM NEGLIGENCE, TORT, STRICT LIABILITY, CONTRACT, WARRANTY OR OTHERWISE. IN NO EVENT SHALL PATLITE OR THE MANUFACTURER BE LIABLE FOR PUNITIVE OR EXEMPLARY DAMAGES.** To request warranty assistance, contact PATLITE to obtain a Return Merchandise Authorization ("RMA") number and return the product to PATLITE with the RMA number. Warranty assistance does not apply if the product is altered or modified in any way after shipment by PATLITE.